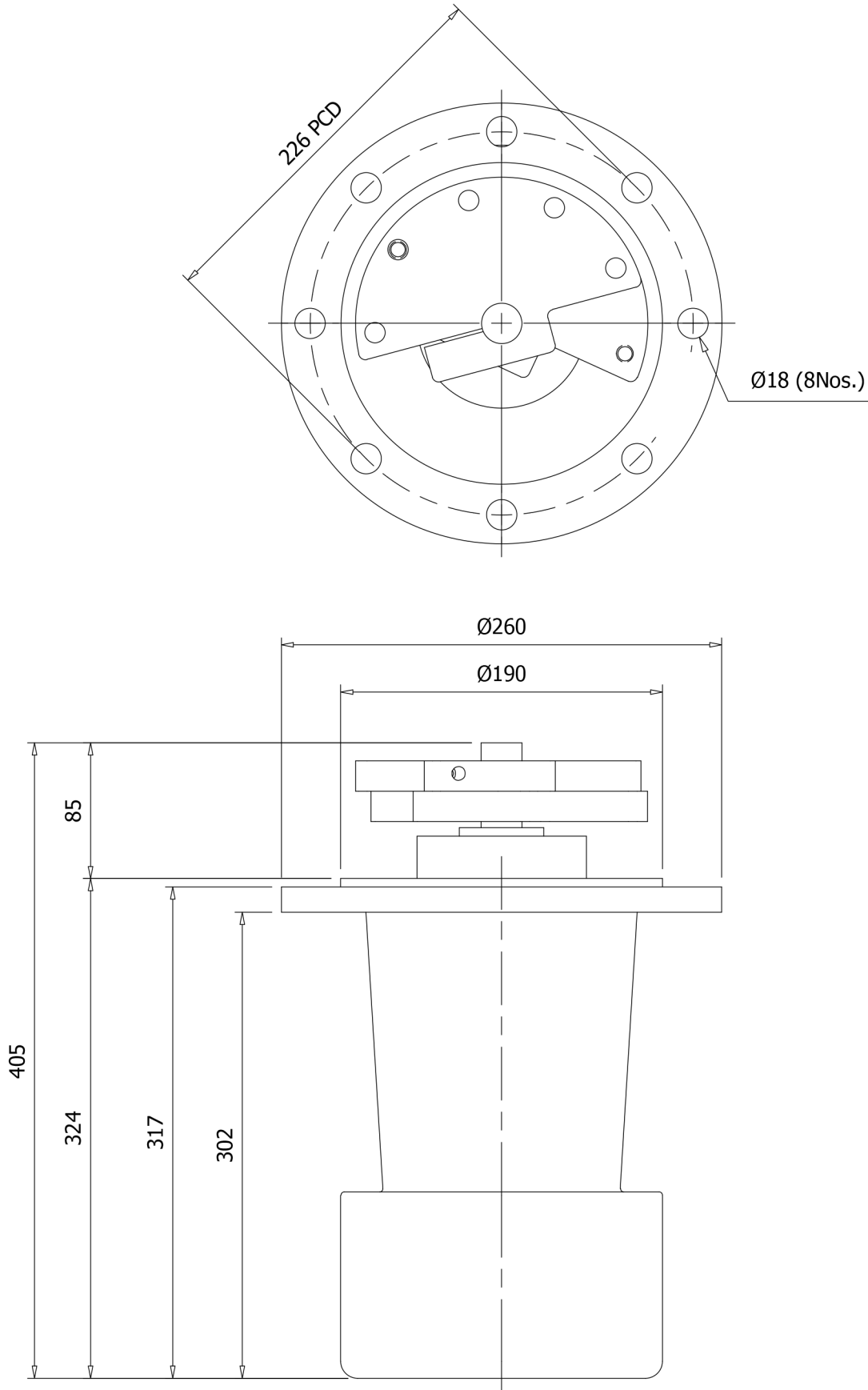


All Dim in mm



VVM2 (90)

0.75Hp / 0.55Kw & 1Hp / 0.75Kw

1440 Rpm - 415v/380v/220v 3Phase

VIKRANT MOTORS MANUFACTURERS, MUMBAI

